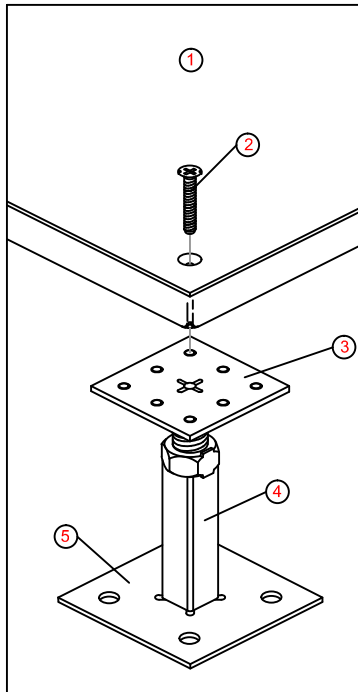


# Bravo Access Floors

## CORNERLOCK UNDERSTRUCTURE

### PANEL ATTACHEMENT TO UNDERSTRUCTURE



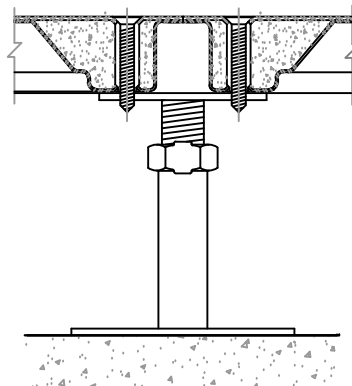
#### LEGEND:

- ① ACCESS FLOOR PANEL
- ② 1/4" - 20 CORNERLOCK SCREW
- ③ STANDARD PEDESTAL HEAD
- ④ 7/8" SQUARE STEEL TUBE
- ⑤ BASE PLATE

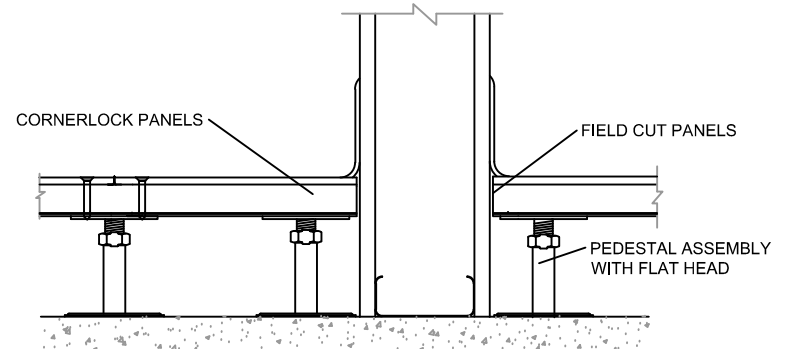
### METHOD OF ATTACHEMENT TO SUBFLOOR:

- TAYLOR 105 PEDESTAL ADHESIVE
- AIM 382 PEDESTAL ADHESIVE
- POLYPED PEDESTAL ADHESIVE
- SEAL BOND 95 ADHESIVE
- MECHANICAL ANCHORING (2) PER BASE

### SIDE VIEW ELEVATION:



### PERIMETER / PARTION DETAIL:



### CORNERLOCK FASTNER:

1/4" X 20 X 2" PHILLIPS  
FLAT HEAD ZINC PLATED  
MACHINE SCREW WITH  
SPIRAL POINT



**BRAVO ACCESS FLOORS**  
7079 BROOKDALE DRIVE  
ELKRIDGE, MARYLAND 21075  
PHONE: (410) 799-8286 FAX (410) 799-0459  
WWW.BRAVOACCESSFLOORS.COM

Bravo - Designed for Global Duty; Built on a Global Platform since 1989.

*Features and specifications are subject to change without notice.*