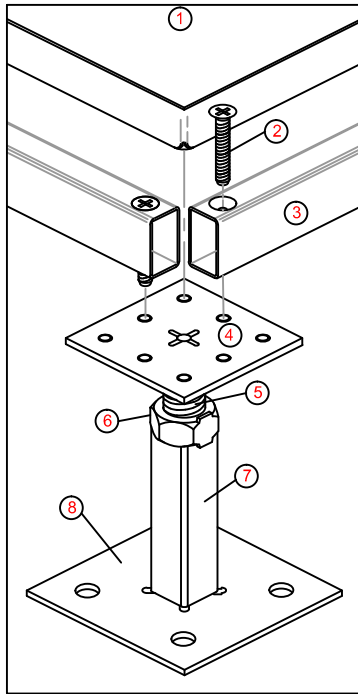


# Bravo Access Floors

## GRAVITY HELD BOLTED GRID UNDERSTRUCTURE

### PANEL ATTACHEMENT TO UNDERSTRUCTURE



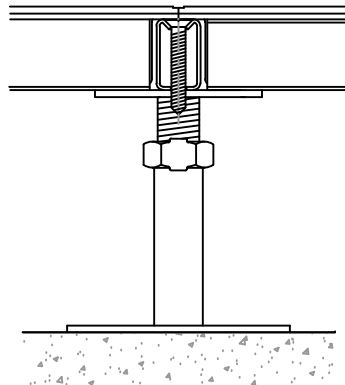
#### LEGEND:

- ① ACCESS FLOOR PANEL
- ② 1/4" - 20 STRINGER SCREW
- ③ TWO FOOT OR FOUR FOOT STRINGER
- ④ FLAT PEDESTAL HEAD
- ⑤ 3/4" THREADED STUD
- ⑥ LOCKING NUT
- ⑦ 7/8" SQUARE STEEL TUBE
- ⑧ BASE PLATE

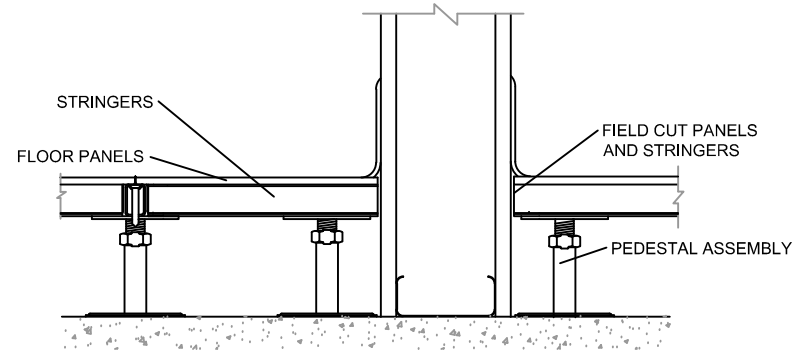
### METHOD OF ATTACHEMENT TO SUBFLOOR:

- TAYLOR 105 PEDESTAL ADHESIVE
- AIM 382 PEDESTAL ADHESIVE
- POLYPED PEDESTAL ADHESIVE
- SEAL BOND 95 ADHESIVE
- MECHANICAL ANCHORING (2) PER BASE

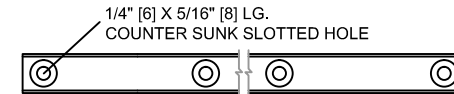
### SIDE VIEW ELEVATION:



### PERIMETER / PARTION DETAIL:



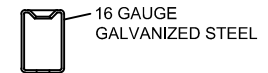
### STRINGER DETAIL - TOP VIEW:



### STRINGER DETAIL - SIDE VIEW:



1/4" X 20 X 2" PHILLIPS  
FLAT HEAD ZINC PLATED  
MACHINE SCREW WITH  
SPIRAL POINT



### STRINGER FASTENER:

### SECTION A-A

**BRAVO ACCESS FLOORS**  
7079 BROOKDALE DRIVE  
ELKRIDGE, MARYLAND 21075  
PHONE: (410) 799-8286 FAX (410) 799-0459  
WWW.BRAVOACCESSFLOORS.COM

Bravo - Designed for Global Duty; Built on a Global Platform since 1989.

Features and specifications are subject to change without notice.