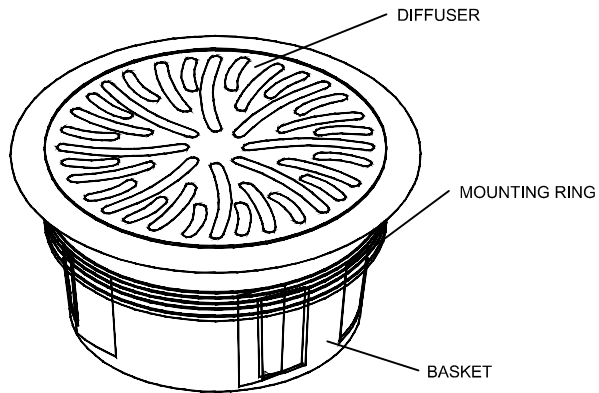


Bravo Access Floors

SWIRL DIFFUSER

TOP VIEW:



MATERIAL:

DIFFUSER AND MOUNTING RING - ALUMINUM
 BASKET - POLYCARBONATE, UL/ULC 94V-0 FIRE RATED
 METAL BASKET - GALVANIZED STEEL
 8-3/8" HOLE REQUIRED FOR INSTALLATION

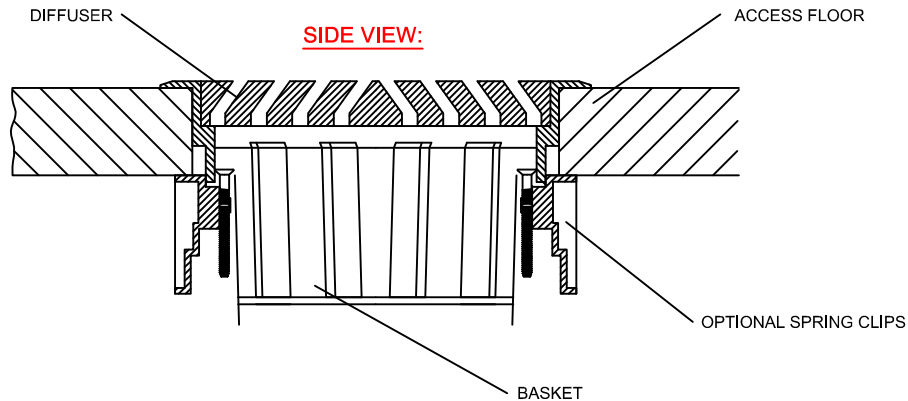
FINISH OPTIONS:

- MILL FINISH
- BLACK POWDER COAT
- SILVER POWDER COAT

AIR FLOW CHART

STATIC PRESSURE:	CFM - BASKET OPEN
0.03	48.7
0.04	58.5
0.05	68.2
0.06	78.0
0.07	83.6
0.08	89.3
0.09	94.9
0.10	100.6

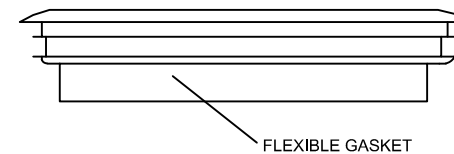
SIDE VIEW:



MOUNTING OPTIONS:

- SPRING CLIPS
- PRESS-FIT GASKET

SIDE VIEW:



BRAVO ACCESS FLOORS
 7079 BROOKDALE DRIVE
 ELKRIDGE, MARYLAND 21075
 PHONE: (410) 799-8286 FAX: (410) 799-0459
 WWW.BRAVOACCESSFLOORS.COM

Bravo - Designed for Global Duty; Built on a Global Platform since 1989.

Features and specifications are subject to change without notice.